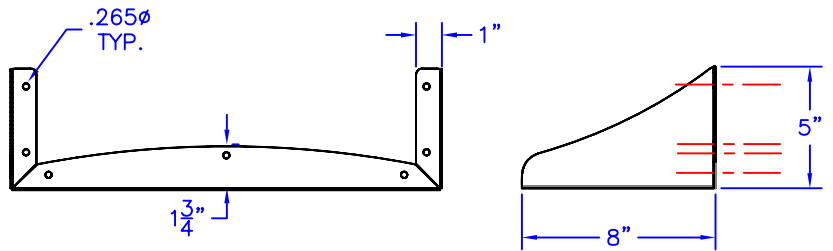
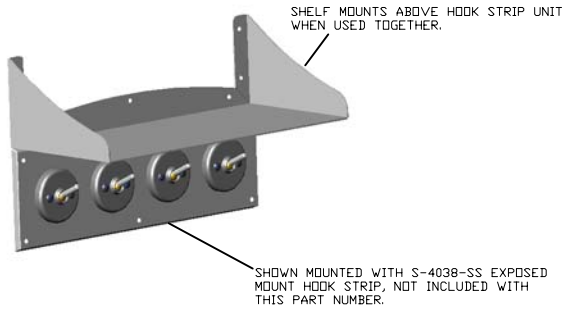
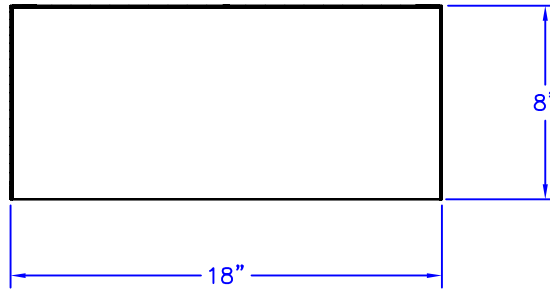
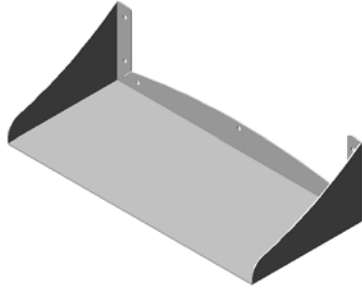




Technical Data K-4038-18-SS

SECURITY SHELF 8" X 18" EXPOSED MT.



Construction:

14 GAUGE TYPE 304 STAINLESS STEEL.
FORMED ONE PIECE CONSTRUCTION WITH INTEGRAL BRACKETS.
SATIN #4 FINISH.
EXPOSED MOUNT WITH (7) .265Ø MOUNT HOLES FOR SUPPLIED 1/4"-20 X 1 1/2" PIN IN TORX STAINLESS STEEL SCREWS.

Operation:

8" DEPTH X 18" WIDTH STORAGE SHELF

Installation:

USE SHELF AS TEMPLATE TO MARK HOLE LOCATIONS.
DRILL HOLES.
FASTEN TO WALL USING SUPPLIED 1/4"-20 X 1 1/2" PIN IN TORX BH SCREWS (7).

CAUTION: SHELF IS ONLY AS STRONG AS THE ANCHORING DEVICES AND THE WALL IN WHICH IT IS MOUNTED TO.

Guide Specification:

14 GAUGE TYPE 304 STAINLESS STEEL.
FORMED ONE PIECE CONSTRUCTION WITH INTEGRAL BRACKETS.
SATIN #4 FINISH.
EXPOSED MOUNT WITH (7) .265Ø MOUNT HOLES FOR SUPPLIED 1/4"-20 X 1 1/2" PIN IN TORX STAINLESS STEEL SCREWS.
8" DEPTH X 18" WIDTH STORAGE SHELF

The manufacturer reserves the right to make changes in design and material without formal notice and without incurring obligation

© Copyright 2005
Brey-Krause Manufacturing

Brey-Krause Manufacturing
1209 West Lehigh Street, Bethlehem, PA 18018
Phone: 610.867.1401 Fax: 610.866.1433
www.breykrause.com