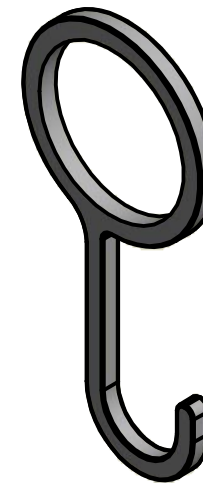
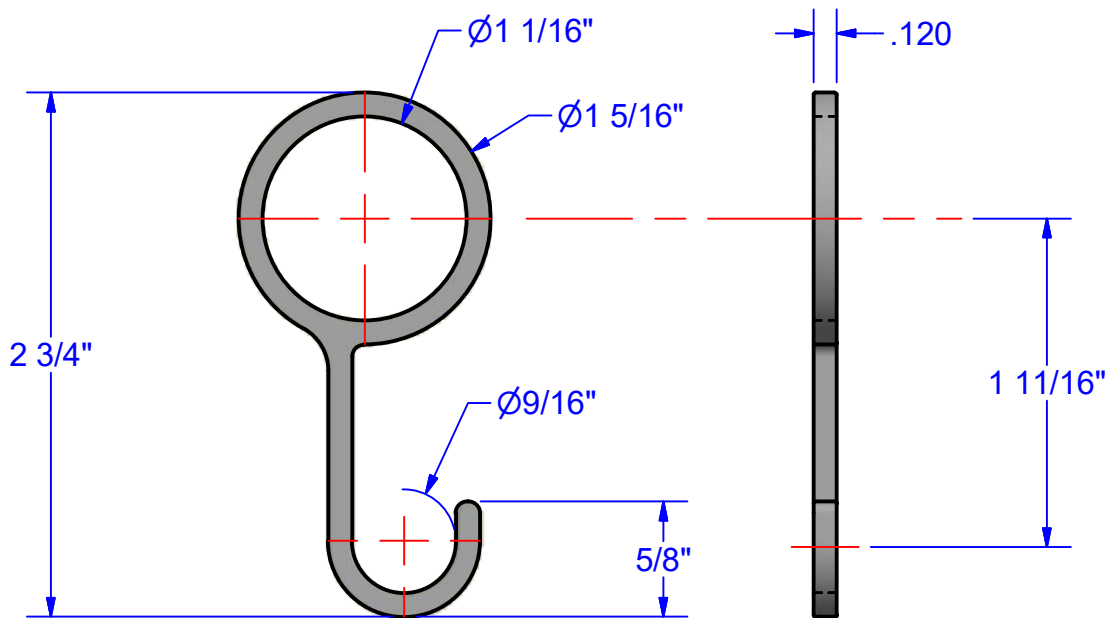




Technical Data Sheet

S-0152-SS

Heavy duty shower curtain hook



Construction:

11 Gauge (.120) type 304 stainless steel.
One piece construction.
Satin finish.

Guide Specifications:

Type 304 stainless steel.
One piece heavy duty shower curtain hook for 1" diameter tube.
Vandal and theft resistant.
Cannot be removed from shower rod tube.

Installation:

Slide heavy duty shower curtain hook onto 1" shower rod tube before mounting shower rod tube to wall and flanges.

Note: Once shower rod is installed to wall and flanges heavy duty shower curtain hook cannot be removed. Removing heavy duty shower curtain hook requires un-mounting shower rod tube from wall and flanges.