

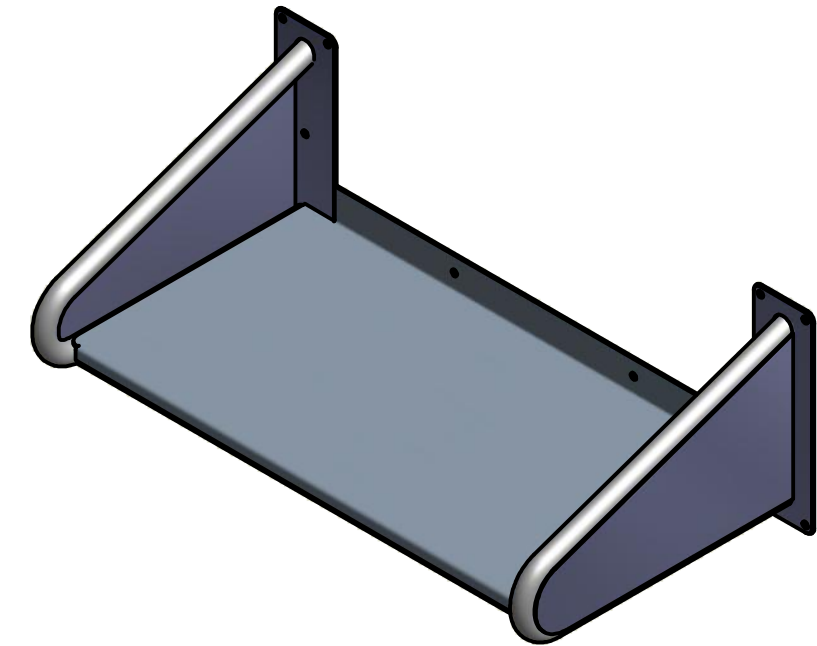
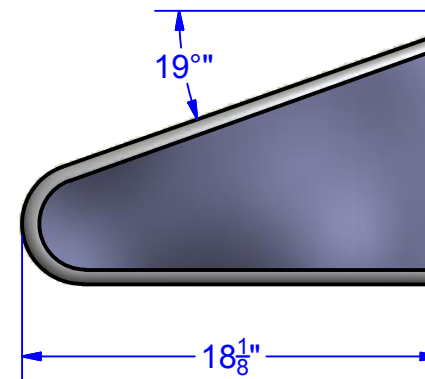
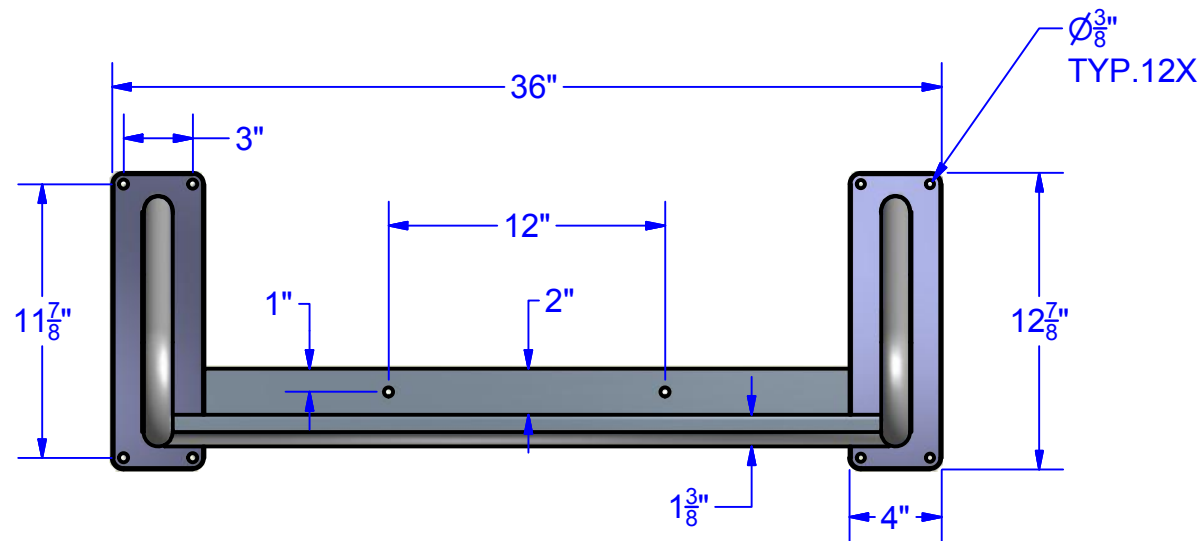
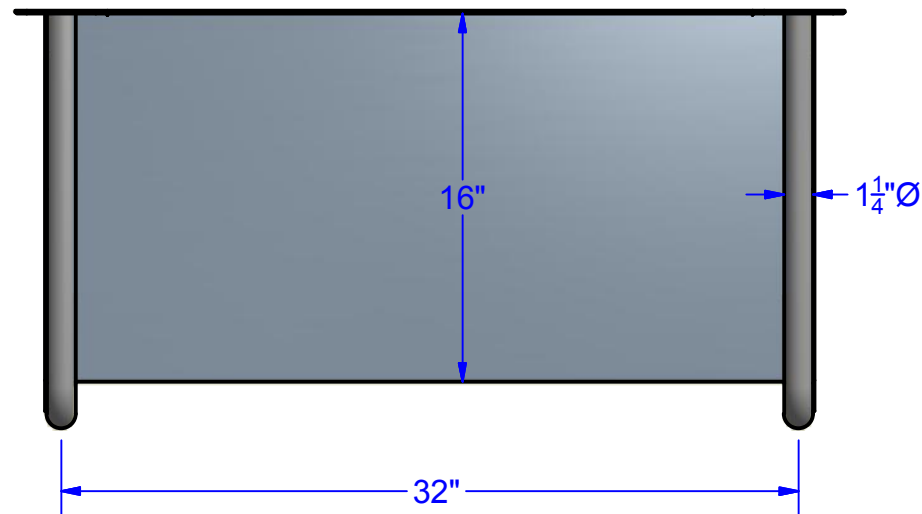


BREY-KRAUSE MANUFACTURING
 1209 W. LEHIGH ST., BETHLEHEM, PA 18018
 PHONE: 610-867-1401 FAX: 610-866-1433
 www.breykrause.com
 Brey-Krause Mfg. reserves the right to make changes in design and/or materials without formal notice and without incurring obligation.

TECHNICAL DATA SHEET
S-6510-SS
 ANTI-LIGATURE WALL MOUNT SEAT
 500 LB TEST

DRAWN BY: dmartin	DATE: 9/18/2014	B
TOLERANCES (UNLESS OTHERWISE SPECIFIED)		
FRACTIONAL : ± 5/32"	X.XX : ± 0.010	
∠ : ± 1°	X.XXX : ± 0.005	
	X.XXXX : ± 0.0002	

FILE: S-6510-SS TECH DATA



INSTALLATION:

- USE SEAT AS TEMPLATE FOR LOCATING ALL (12) MOUNTING HOLES.
- MOUNT SEAT 18" ABOVE FINISHED FLOOR.

CONSULT LOCAL AND NATIONAL ACCESSIBILITY CODES FOR PROPER INSTALLATION GUIDELINES.

CONFORMITY AND COMPLIANCE TO LOCAL AND NATIONAL CODES IS THE RESPONSIBILITY OF THE INSTALLER.

SEAT IS ONLY AS STRONG AS THE ANCHORING DEVICES AND THE WALL ON WHICH IT IS MOUNTED TO. ADEQUATE IN-WALL BACKING MAY BE REQUIRED.

SPECIFICALLY ENGINEERED TAMPER RESISTANT SECURITY SEALANT MUST BE USED ON ALL WALL GAPS.

CONSTRUCTION:

- 1 1/4"Ø X .049W STAINLESS STEEL TUBE.
- 11 GAUGE STAINLESS STEEL SEAT TOP. WELDED TO FRAME TO COMPLETE A SINGLE FORM STRUCTURE.
- 11 GAUGE STAINLESS STEEL WALL PLATES.
- (12) 3/8"Ø MOUNTING HOLES.
- SATIN #4 FINISH.

GUIDE SPECS:

- 16" X 32" EXPOSED WALL MOUNT SEAT.
- ANTI-LIGATURE.
- 500 LBS. LOAD TEST.
- TYPE 304 STAINLESS STEEL.
- SEAT WEIGHT IS 36 LBS.

