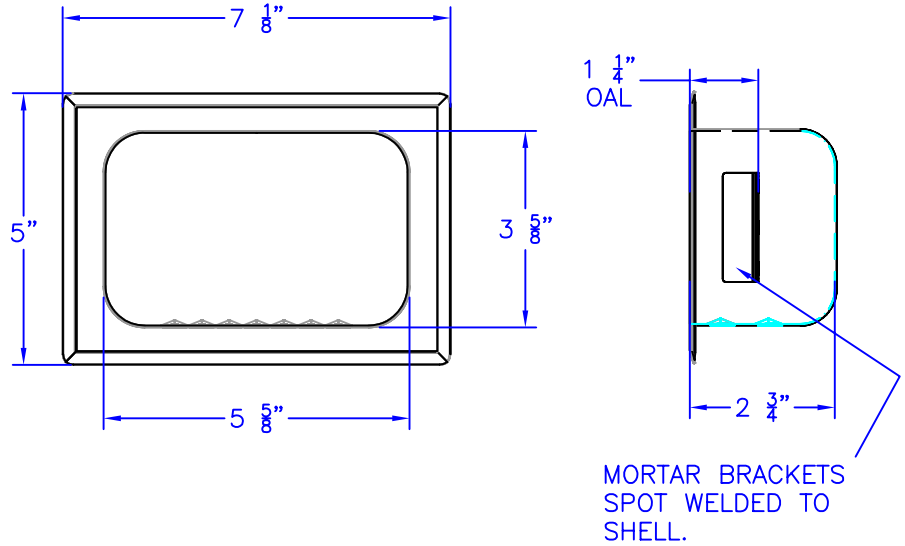




Technical Data

S-2632-XX

HEAVY DUTY RECESSED SOAP DISH



FINISH CODE
-SS = SATIN FINISH
-BS = BRIGHT FINISH

Construction:

SOAP DISH: 20 GAUGE TYPE 304 STAINLESS STEEL, ONE PIECE SEAMLESS.
MORTAR BRACKET: 22 GAUGE TYPE 304 STAINLESS STEEL WELDED TO SHELL.

Installation:

REQUIRES A ROUGH WALL OPENING 6" WIDE X 4" HIGH X 2 $\frac{3}{4}$ " DEEP.

MOUNT AT DESIRED LOCATION USING THE MORTAR BRACKETS FOR ANCHORING IN CEMENT.

Guide Specification:

HEAVY DUTY RECESSED SOAP DISH FABRICATED OF TYPE 304 STAINLESS STEEL, DRAWN SEAMLESS CONSTRUCTION.

OVERALL EXPOSED FACE DIMENSION: 5" X 7 $\frac{1}{8}$ ".

INSIDE DIMENSION 5 $\frac{5}{8}$ " WIDE X 3 $\frac{5}{8}$ " HIGH X 2 $\frac{3}{4}$ " DEEP.