

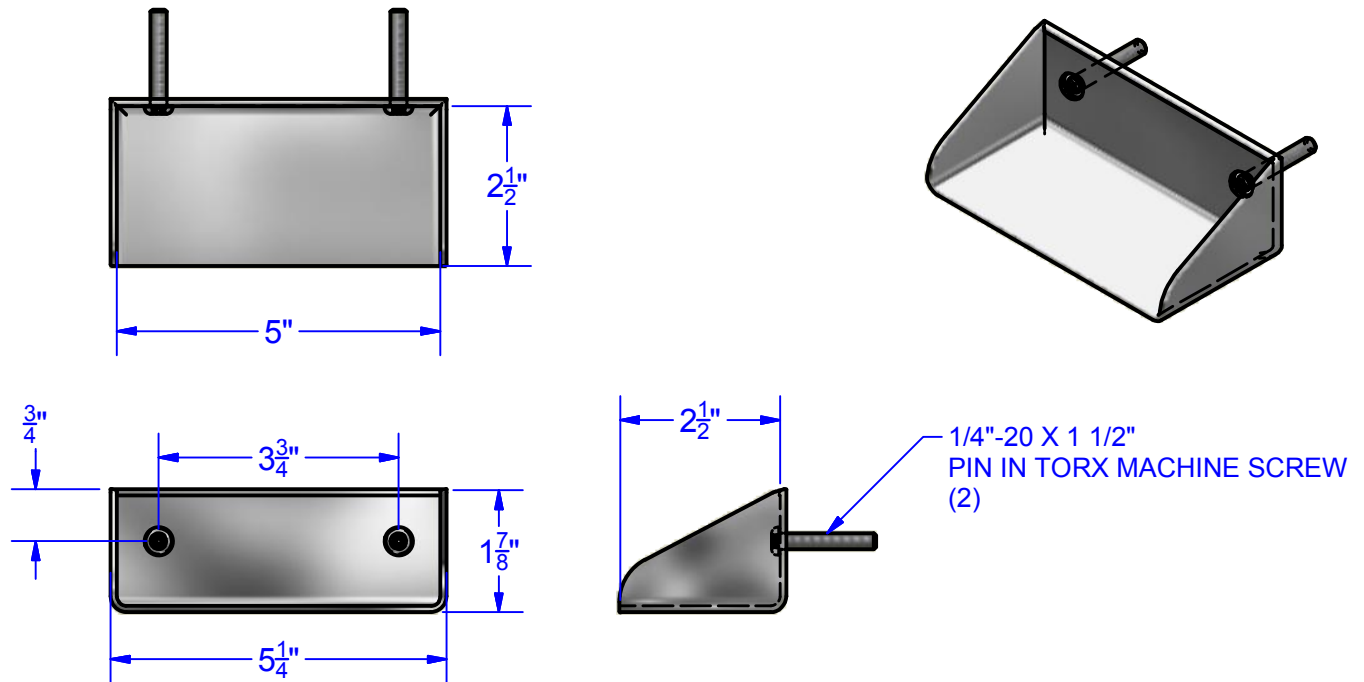


TECHNICAL DATA SHEET

S-4002-SS
ANTI-LIGATURE SOAP DISH

DRAWN BY:
dmartin 11/3/2015

TOLERANCES:
FRACTION : $\pm 1/8"$ X.XX : ± 0.010
 \angle : $\pm 1^\circ$ X.XXX : ± 0.005



CONSTRUCTION:

- 12 GAUGE TYPE 304 STAINLESS STEEL. WELDED AND GROUND SEAMS FOR ONE PIECE CONSTRUCTION.
- (2) 1/4"-20 X 1 1/2" LONG 18-8 STAINLESS STEEL PIN IN TORX MACHINE SCREWS SUPPLIED.
- SATIN #4 FINISH.

INSTALLATION:

USE SOAP DISH AS TEMPLATE. FASTEN AT DESIRED LOCATION USING SUPPLIED BOLTS. WALL ANCHORS ARE NOT PROVIDED.

CONSULT LOCAL AND NATIONAL ACCESSIBILITY CODES FOR PROPER INSTALLATION GUIDELINES.

CONFORMITY AND COMPLIANCE TO LOCAL AND NATIONAL CODES IS THE RESPONSIBILITY OF THE INSTALLER.

SPECIFICALLY ENGINEERED TAMPER RESISTANT SECURITY SEALANT MUST BE USED ON ALL WALL JOINTS.

SOAP DISH IS ONLY AS STRONG AS THE ANCHORING DEVICES AND THE WALL ON WHICH IT IS MOUNTED TO.

GUIDE SPECIFICATION:

- EXPOSED MOUNT ANTI-LIGATURE SOAP DISH.
- 12 GAUGE TYPE 304 STAINLESS STEEL ONE PIECE CONSTRUCTION.
- (2) .265Ø MTG. HOLES
- SATIN #4 FINISH.