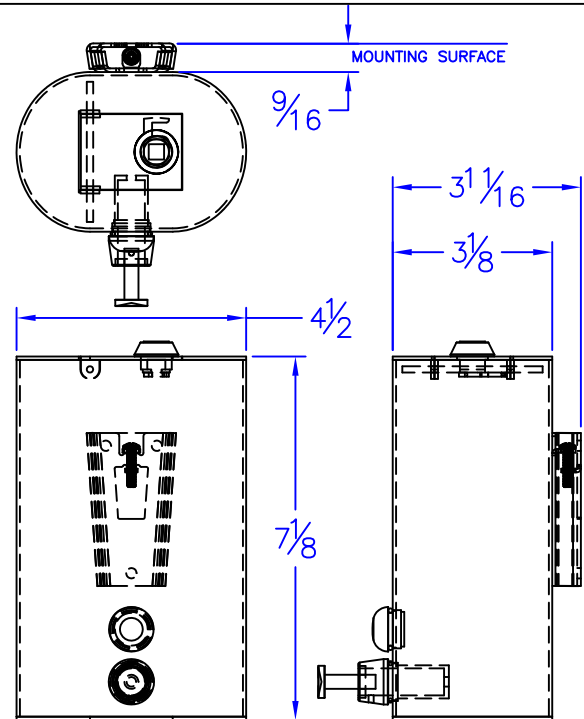




Technical Data

S-0125-SS 40 oz. Soap Dispenser



Construction:

The dispenser is fabricated from 300 series stainless steel and utilizes welded construction. Both the hand pump and sight glass are field serviceable and sealed via an O ring.

Operation:

The unit is filled through the keyed top lid, soap is dispensed from the bottom of the hand actuated pump. Low soap level is observed through the sight glass, unit capacity is 40 ounces.

Installation:

To mount the unit, find the desired mounting location and use the wall mount as a template to locate the (3) mounting holes. Attach the wall mount to the mounting surface. Slide the dispenser onto the mount and secure with the supplied 8-32 Pan Head Screw.

Guide Specification: