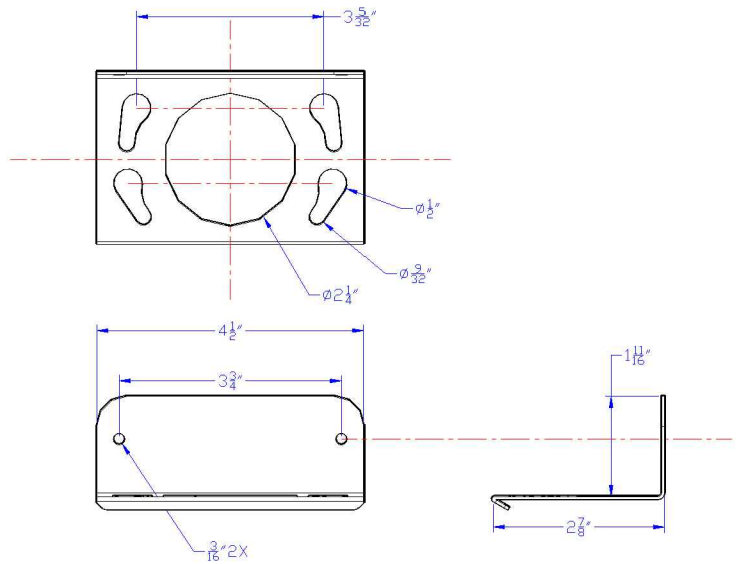
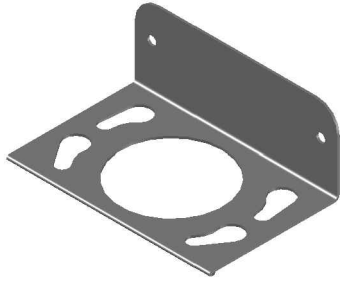




Technical Data

S-4019-XX

EXPOSED MOUNT TUMBLER TOOTH BRUSH HOLDER



FINISHES:-XX
 -SS = SATIN STAINLESS
 -PC = POWDER COAT-SPECIFY COLOR

Construction:

FORMED ONE PIECE 18 GAUGE TYPE 304 STAINLESS STEEL

Operation:

HOLDS 4 TOOTH BRUSHES AND 1 TUMBLER

Installation:

USE TUMBLER TOOTH BRUSH HOLDER AS TEMPLATE TO LOCATE AND MARK MOUNTING HOLES. FASTEN TO WALL USING APPROPRIATE FASTENERS.

TUMBLER TOOTH BRUSH HOLDER IS ONLY AS STRONG AS THE ANCHORING DEVICES AND THE WALL ON WHICH IT IS MOUNTED TO.

Guide Specification:

HOLDS 4 TOOTH BRUSHES AND 1 TUMBLER.
 18 GAUGE TYPE 304 STAINLESS STEEL ONE PIECE CONSTRUCTION.
 EXPOSED MOUNTING.
 FINISHES AS INDICATED.

The manufacturer reserves the right to make changes in design and material without formal notice and without incurring obligation

© Copyright 2005
 Brey-Krause Manufacturing

Brey-Krause Manufacturing
 1209 West Lehigh Street, Bethlehem, PA 18018
 Phone: 610.867.1401 Fax: 610.866.1433
 www.breykrause.com