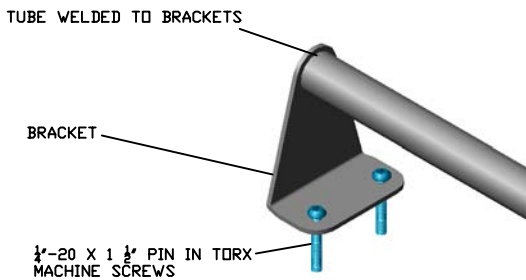
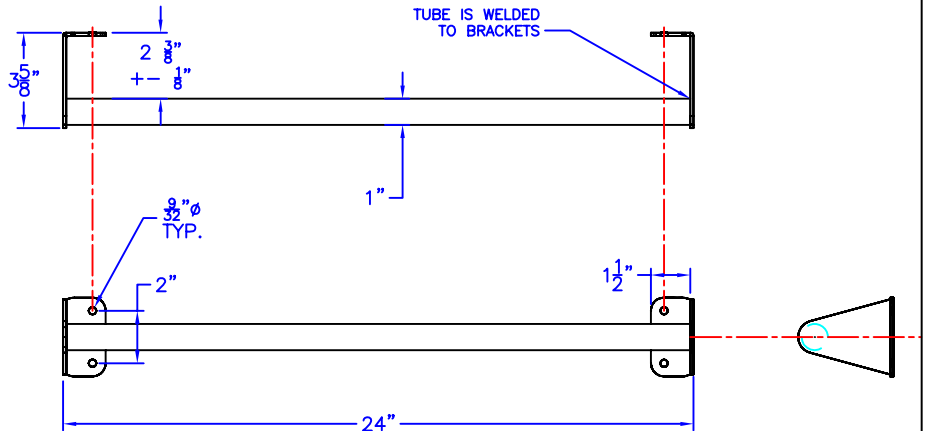
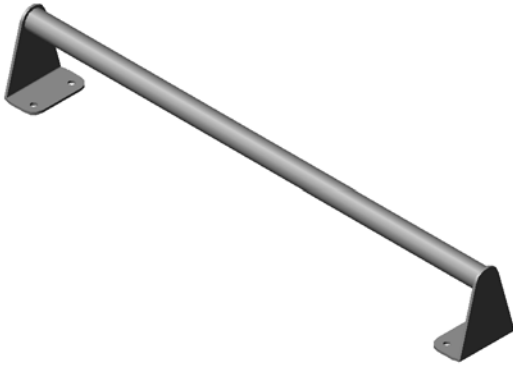




Technical Data

S-4042-24-SS

SECURITY TOWEL BAR



Construction:

TUBE: 1" X .065WALL TYPE 304 STAINLESS STEEL.
BRACKET: 11 GAUGE TYPE 304 STAINLESS STEEL WITH (2) 9/32" MTG. HOLES.
SCREWS: 1/4"-20 X 1 1/2" STAINLESS STEEL PIN IN TORX SECURITY MACHINE SCREW.
FINISH: SATIN #4

Installation:

USE BRACKETS AS TEMPLATES TO LOCATE AND MARK HOLES.
DRILL HOLES FOR APPROPRIATE WALL ANCHORS.
FASTEN TO WALL WITH SUPPLIED SCREWS.

CAUTION: TOWEL BAR IS ONLY AS STRONG AS THE ANCHORING DEVICES AND THE WALL ON WHICH IT IS MOUNTED TO.

Guide Specification:

1"Ø X 24" LONG SECURITY TOWEL BAR.
ONE PIECE WELDED CONSTRUCTION.
EXPOSED MOUNTING.
SATIN #4 FINISH.