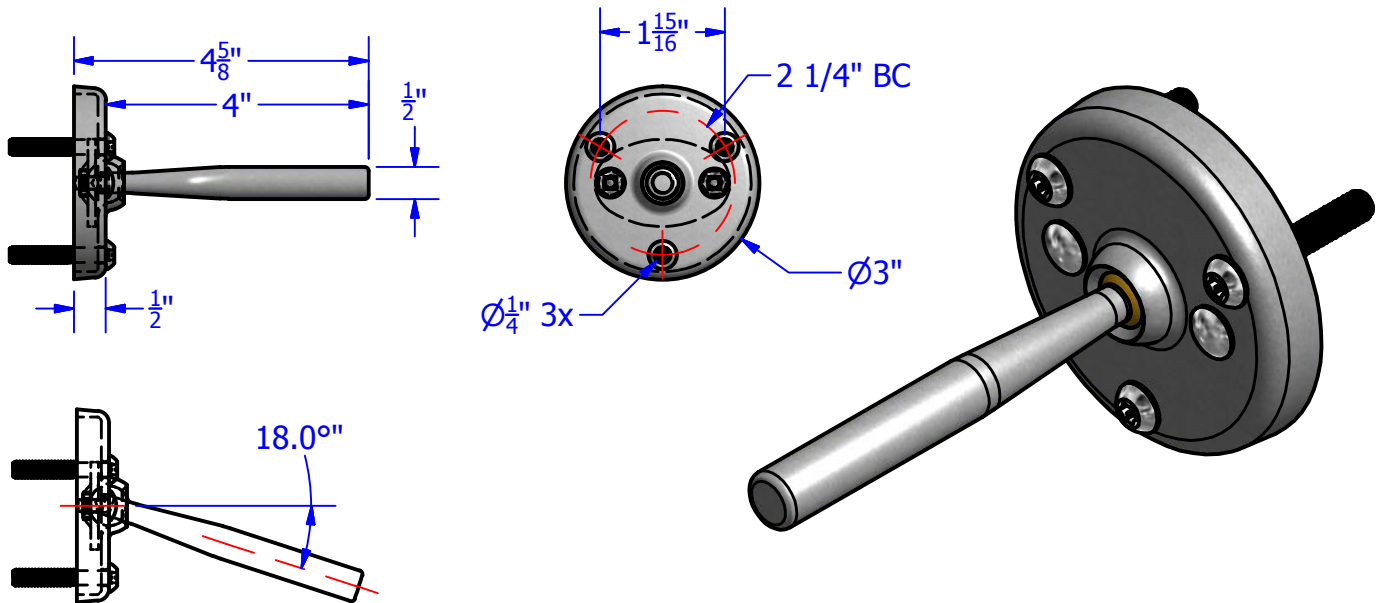




# Technical Data

## S-4044-SS ANTI-LIGATURE TOILET PAPER HOLDER EXPOSED MOUNTING



DATA CURRENT AS OF: 2/20/2012

### Construction:

FLANGE: 11 GAUGE X 3" DIAMETER TYPE 304 STAINLESS STEEL  
 ROD: 1/2"Ø STAINLESS STEEL ROD WITH PIVOTING BALL JOINT THAT  
 RELEASES UNDER EXCESSIVE LOAD.  
 SCREWS: 1/4"-20 X 1 1/2" LONG STAINLESS STEEL PIN IN TORX MACHINE SCREW.

### Operation:

ROD WITH PIVOTING BALL JOINT RELEASES WHEN EXCESSIVE LOAD IS APPLIED.  
 ROD IS RESET BY HAND WHEN REQUIRED.

### Installation:

USE THE FLANGE TO MARK HOLES AT DESIRED HEIGHT. INSTALL USING THE (3) SUPPLIED  
 1/4"-20 X 1 1/2" PIN IN TORX SCREWS TO FASTEN TO THE WALL.  
 WALL ANCHORS ARE NOT INCLUDED.  
 CAUTION: THE INSTALLATION IS ONLY AS STRONG AS THE ANCHORING DEVICES  
 AND THE WALL ON WHICH IT IS MOUNTED TO.

### Guide Specification:

HOLDS ONE STANDARD 5 IN.Ø X 4 1/2" LONG TOILET TISSUE ROLL.  
 EXPOSED MOUNTING.  
 ROD RELEASES WHEN EXCESSIVE LOAD IS APPLIED.  
 ONE PIECE ANTI-LIGATURE CONSTRUCTION, SATIN #4 FINISH.

Brey-Krause Mfg. reserves the right to  
 make changes in design and/or  
 material without formal notice and  
 without incurring any obligation.

© Copyright 2012  
 BREY-KRAUSE MANUFACTURING

BREY-KRAUSE MANUFACTURING  
 1209 W. Lehigh Street, Bethlehem, PA 18018  
 Phone: 610-867-1401 Fax: 610-866-1433  
 www.brey-krause.com