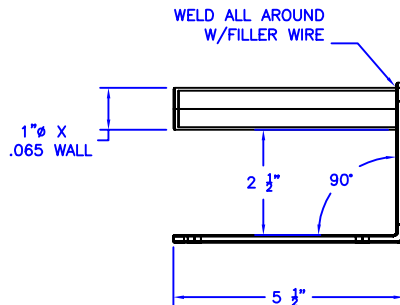
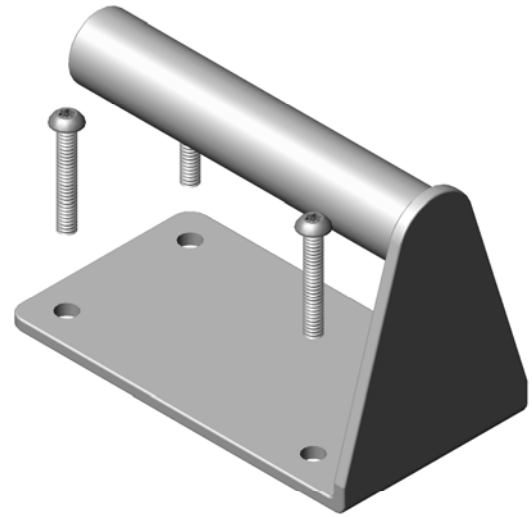
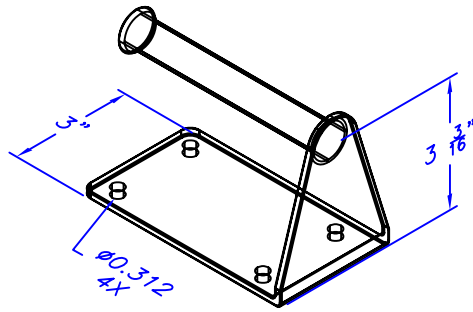




Technical Data

S-4050-SS

SECURITY TOILET PAPER HOLDER EXPOSED MOUNT



Construction:

- STAINLESS STEEL CONSTRUCTION WITH #4 SATIN FINISH
- 7 GA. (.180) THICK BRACKET
- SPINDLE IS 1"Ø X .065W CAPPED TUBE WELDED TO BRACKET
- 4 - $\frac{5}{16}$ "Ø MOUNTING HOLES
- SUPPLIED WITH (4) $\frac{1}{4}$ "-20 X 1 $\frac{1}{2}$ " PIN IN TORX SECURITY MACHINE SCREWS

Operation:

- HOLDS ONE ROLL OF TOILET TISSUE PAPER
- FASTEN AT DESIRED HEIGHT

Installation:

- EXPOSED MOUNT
- FASTEN AT DESIRED HEIGHT HORIZONTAL OR VERTICALLY
- $\frac{5}{16}$ " Ø MTG. HOLES PROVIDED WITH $\frac{1}{4}$ "-20 X 1 $\frac{1}{2}$ " PIN IN TORX SECURITY SCREWS (DRIVER NOT INCLUDED)
- WALL ANCHORS NOT PROVIDED

Guide Specification:

- EXPOSED MOUNT
- ALL WELDED ONE PC. CONSTRUCTION
- HOLDS ONE ROLL OF TOILET TISSUE PAPER
- ONCE MOUNTED OFFERS A VANDAL RESISTANT TOILET TISSUE PAPER HOLDER
- NO OPEN ENDS FOR CONCEALMENT OF CONTRABAND

The manufacturer reserves the right to make changes in design and material without formal notice and without incurring obligation

© Copyright 2005
Brey-Krause Manufacturing

Brey-Krause Manufacturing
1209 West Lehigh Street, Bethlehem, PA 18018
Phone: 610.867.1401 Fax: 610.866.1433
www.breykrause.com